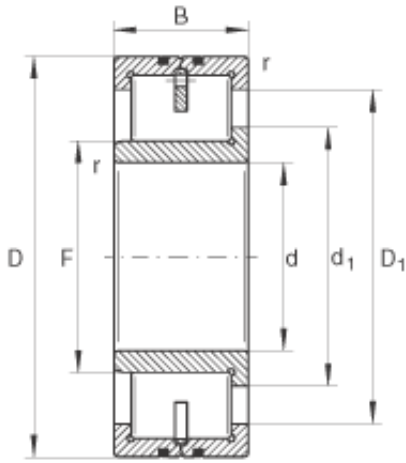




# MAK Metallurgy Heavy Bearing Manufact...



## LSL192340-TB full complement Cylindrical roller bearing 200X420X138

Bearing No. LSL192340-TB

Size	200x420x138 mm
Bore Diameter	200 mm
Outer Diameter	420 mm
Width	138 mm
d	200 mm
D	420 mm
B	138 mm
D <sub>1</sub>	345,9 mm
d <sub>1</sub>	265,7 mm
F	238,45 mm
r <sub>min</sub>	5 mm
s	7 mm / Axial displacement
m	89,3 kg / Weight
C <sub>r</sub>	2340000 N / Dynamic load rating (radial)
C <sub>0r</sub>	3050000 N / Static load rating (radial)
C <sub>ur</sub>	320000 N / Fatigue limit load, radial
n <sub>G</sub>	3200 1/min / Limiting speed

LSL192340-TB Bearing 2D drawings and 3D CAD models