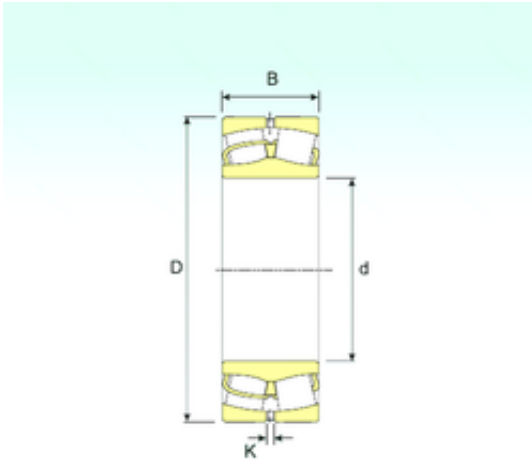




MAK Metallurgy Heavy Bearing Manufact...



22340 Bearing 2D drawings and 3D CAD models

22340 CCJA Bearing 200x420x138 mm
Spherical roller bearing 22340 CCJA/W33VA406 *

Bearing No. 22340

Size	200x420x138 mm
Bore Diameter	200 mm
Outer Diameter	420 mm
Width	138 mm
d	200 mm
D	420 mm
B	138 mm
C	138 mm
K	12 mm
Weight	95 Kg
Basic dynamic load rating (C)	2274 kN
Basic static load rating (C0)	2842 kN
(Grease) Lubrication Speed	1147,5 r/min